

ZVIEW 28"

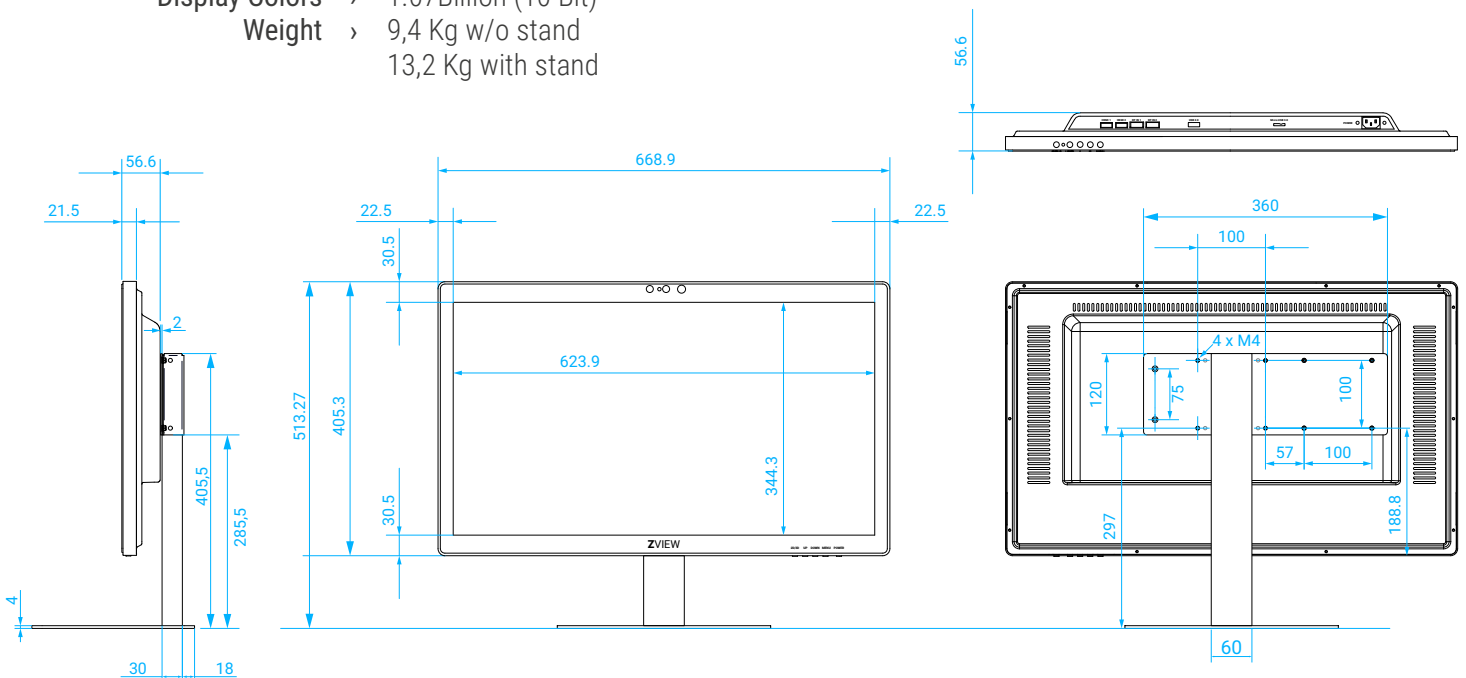
AS3D DISPLAY
ZVIEW-28



Type	› Single User Eye-Tracking-Display
Mount	› Table Stand or Wall Mounted
Orientation	› Landscape
Housing	› Metal & Tempered Glass
Color	› Black
Screen Diagonal	› 28 inch
Display Resolution	› 3840x2160
Input Resolution	› 3840x2160
Display Area	› 620.93(H)×341.28(V) mm
Brightness	› 300 cd/m2 (Typical)
Contrast Ratio	› 1000:1
Response Time	› 1.5 ms (Grey to Grey)
Display Colors	› 1.07Billion (10 Bit)
Weight	› 9,4 Kg w/o stand 13,2 Kg with stand

3D Viewing Angle	› ca. 90°
View Number	› 2 Views
3D Filter Type	› Lenticular
Best 3D Viewing Distance	› 0.6m ~ 1.2m

Power	› 100 ~ 240V AC, 50/60Hz
Power consumption	› 55w
I/O	› 2 x HDMI, 2 x DP
Input Format	› stereoscopic SideBySide squeezed
Accessories	› Table Stand (not incl.) Eye-Tracking PC (not incl.)



All measurements are in millimeter.
Images are simulated and for illustration purposes only.

UNITED
SCREENS GMBH

UNITED SCREENS GmbH

📍 Behringstraße 28a - 22765 Hamburg - Germany

✉ info@united-screens.tv

🌐 www.united-screens.tv

☎ +49 40 571 996 47